





WRDDKIT2
RECIRCULATING RIGID VENT KIT



 Before you start	03
 What's required for installation	04
What's in the box	04
Installation	05
 Care & Maintenance	14
 Service & Spares	16



| Before you start

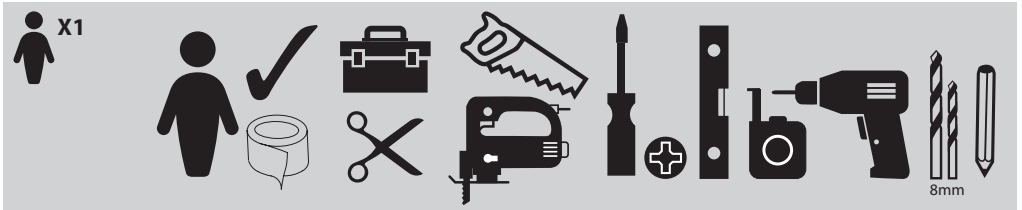
These instructions are for your safety. Please read them thoroughly prior to installation and retain them for future reference.

WARNING: This vent kit must be installed by a competent person following the instructions provided by the manufacturer. The manufacturer declines all responsibility for improper installation, which may harm persons and animals and cause damage.

- Check the package and make sure you have all of the parts listed.
-



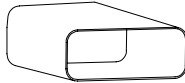
| What's required for installation



| What's in the box



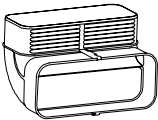
[01] x 1



[02] x 1
RIGID PIPING
TO CUT TO SIZE



[03] x 1



[04] x 1



[09] x 4
3.9 x 13mm PH2
ROUNDHEAD



[05] x 1



[10] x 4
4 x 16mm PZ2
ROUNDHEAD



[06] x 2

Not included

WRDDKITV1 needs to be purchased separately to fit WRDDKIT2 RIGID VENT KIT



[07] x 1



[08] x 4
4 x 16mm PZ2
FLATHEAD



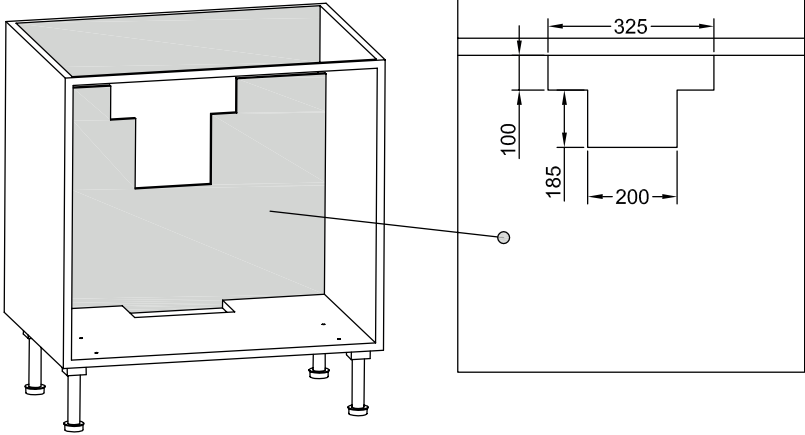
WRDDKITV1
Recirculating Plinth
Vent Kit



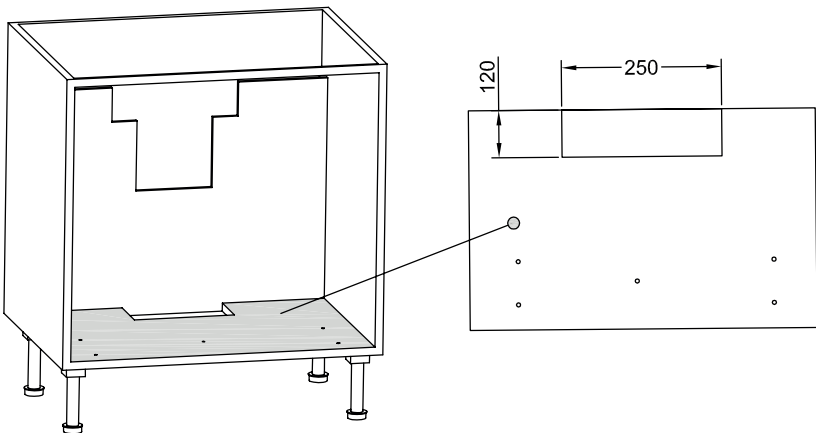
| Measuring Guide

01

1 Rigid Outlet cut-out measurements



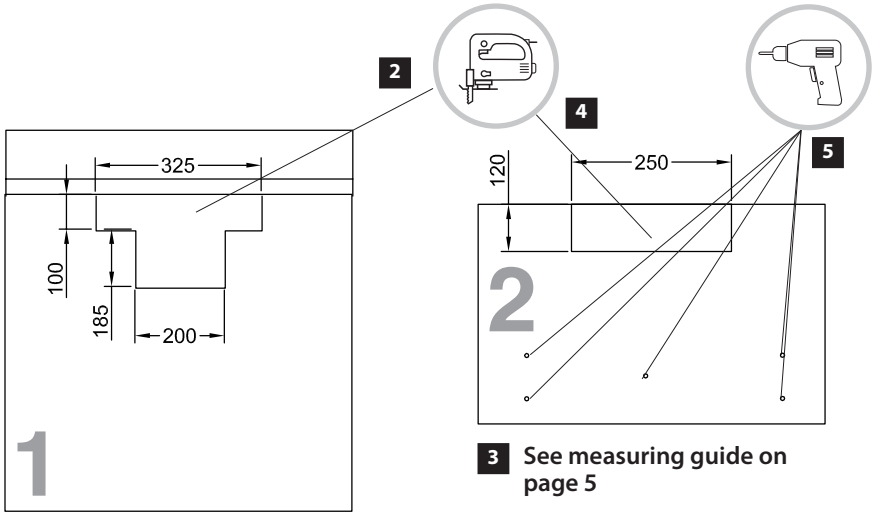
2 Cabinet Base cut-out measurements





| Cut out cabinet back & base

02



1 See measuring guide on page 5

3 See measuring guide on page 5

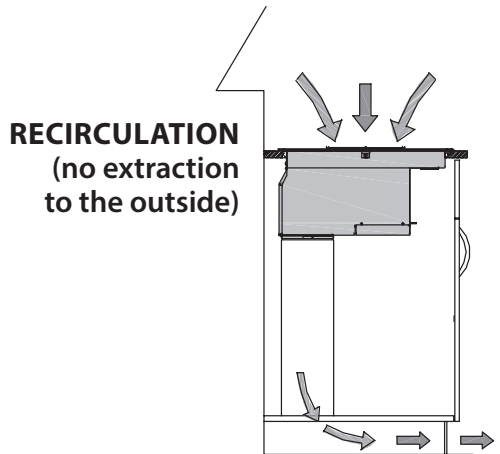
This vent kit is designed to be installed underneath a kitchen base cabinet (minimum size 800mm) with front facing plinth.

Cut Out Cabinet Back

1. Refer to the measuring guide on page 5 and mark the cabinet back.
2. Cut-out the outlet area with a jigsaw.

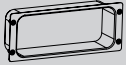
Cut Out Cabinet Base

3. Refer to the measuring guide on page 5 and mark the cabinet base.
4. Cut-out the outlet area with a jigsaw.
5. Using a 8mm drill bit, drill the 5 x holes marked in the base.





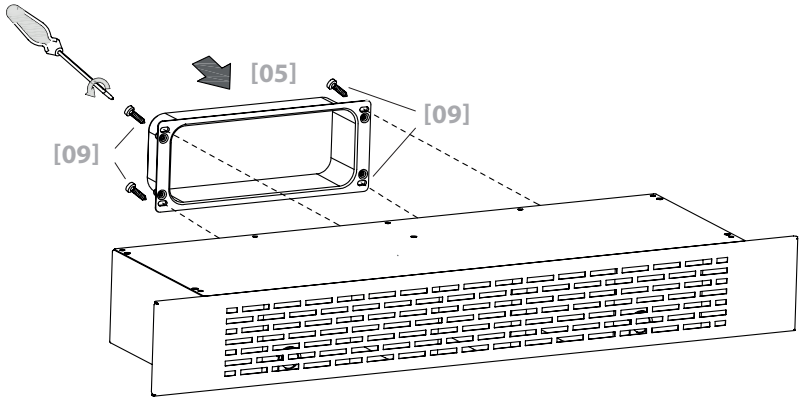
03



[05] x 1



[09] x 4
3.9 x 13mm
PH2
ROUNDHEAD



Attach [05] to the rear of your Recirculating Plinth Vent Kit (WRDDKITV1) housing using [09] x 4.
(See WRDDKITV1 user manual for installation instructions.)

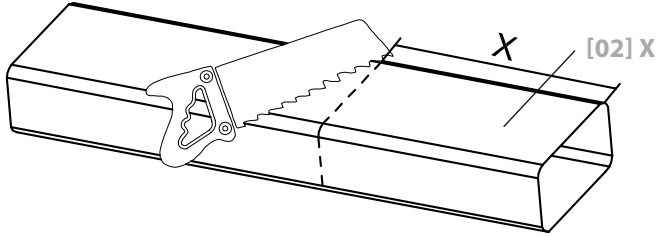


04

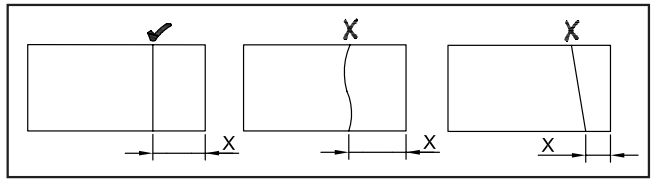
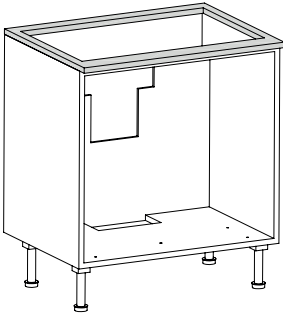
| Cut solid pipe ducting to size



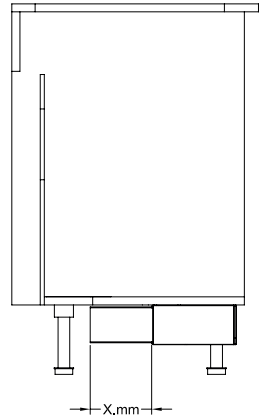
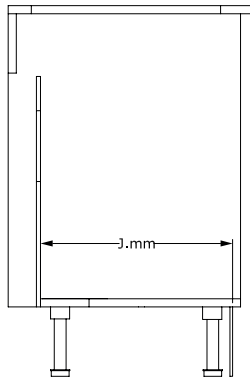
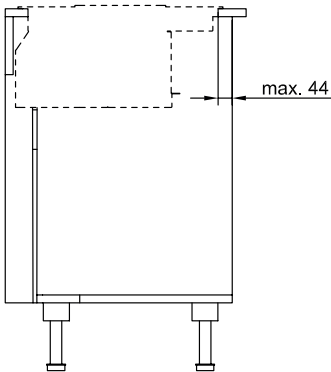
[02] x 1
RIGID PIPING
TO CUT TO
SIZE



Using the dimensions shown in the diagrams below cut the X section of the solid pipe ducting (02) to size.

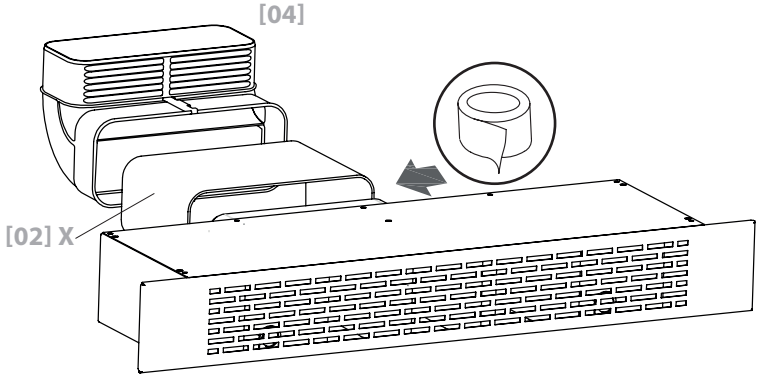
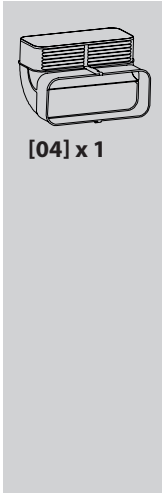


X = J-320mm



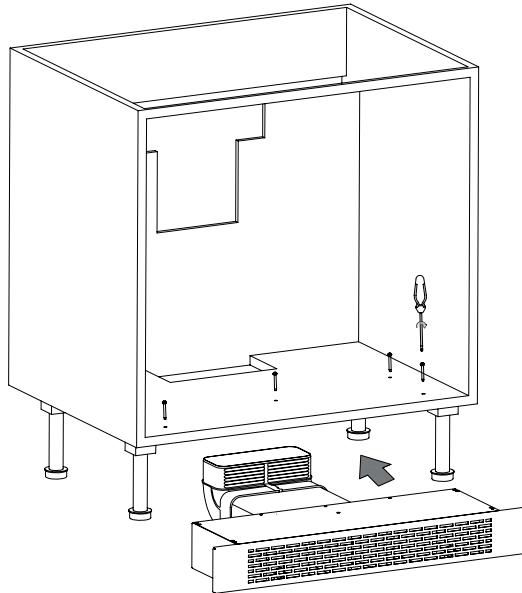


05



Attach [04] and [02]X to the rear of your Recirculating Plinth Vent Kit (WRDDKITV1) housing and secure with adhesive tape. (See WRDDKITV1 user manual for installation instructions.)

06



Secure the filter housing unit from your Recirculating Plinth Vent Kit (WRDDKITV1) to the base of the cabinet. (See WRDDKITV1 user manual for installation instructions.)



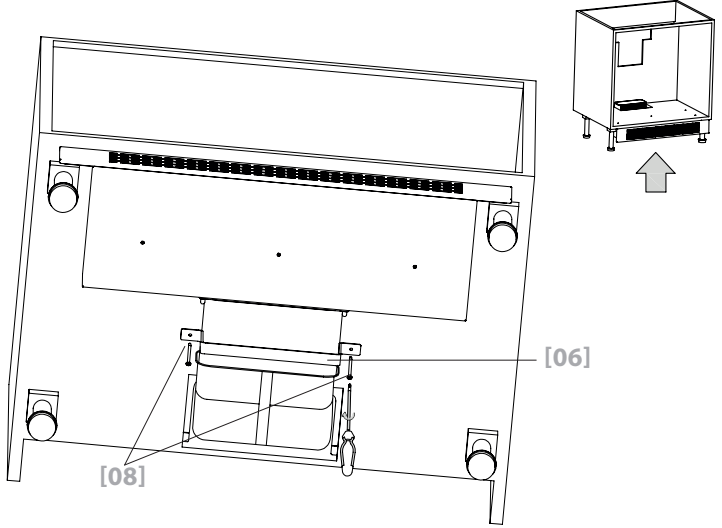
07



[06] x 1



[08] x 2
4 x 16mm
PZ2
FLATHEAD

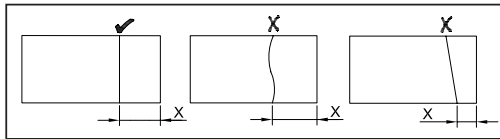
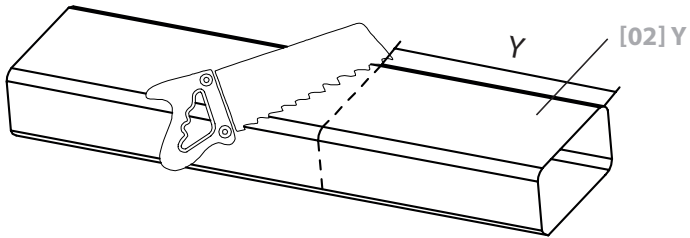


Attach strap [06] to the underside of the unit using screws [08] x 2.

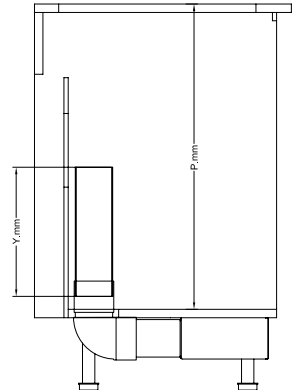
08



[02] x 1
RIGID PIPING
TO CUT TO
SIZE



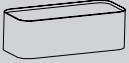
Y = P-440mm



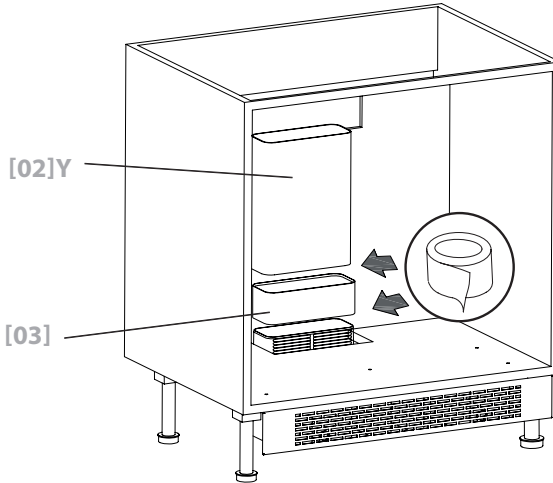
Using the dimensions shown in the diagrams cut the remaining Y section of solid pipe ducting (02) to size.



09



[03] x 1

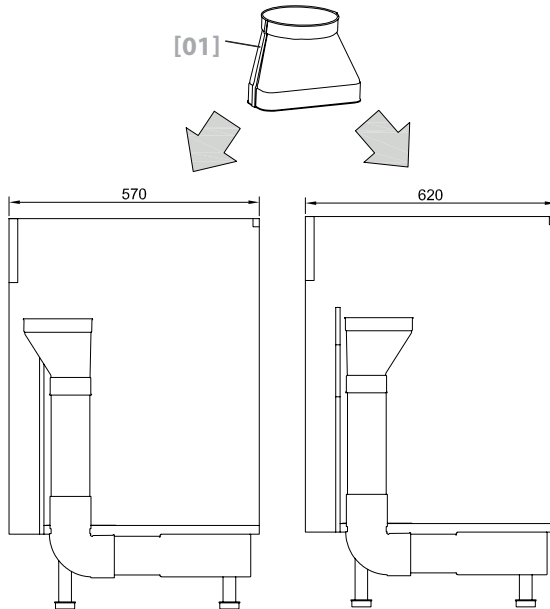


Attach [03] to [02]Y and filter housing unit from your Recirculating Plinth Vent Kit (WRDDKITV1) and secure with adhesive tape.
(See WRDDKITV1 user manual for installation instructions.)

10



[01] x 1



Attach [01] to solid pipe duct. Please note different configurations shown above for a 570mm or 620mm deep cabinet.



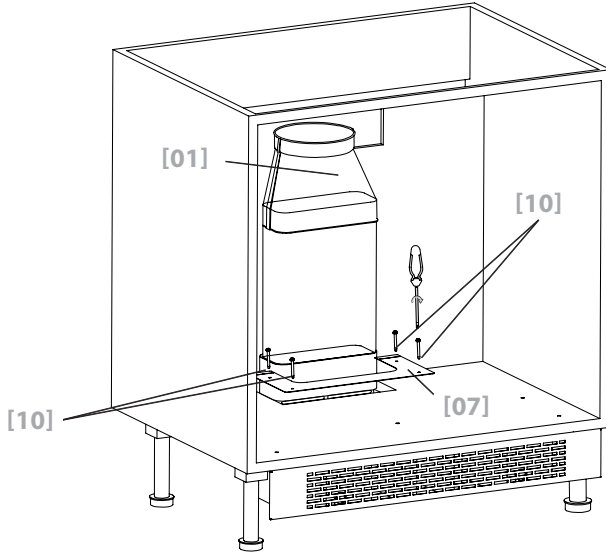
11



[07] x 1



[10] x 4
4 x 16mm
PZ2
ROUNDHEAD



Attach plate [07] to secure the solid pipe ducting inside the cabinet with screws [10] x 4.

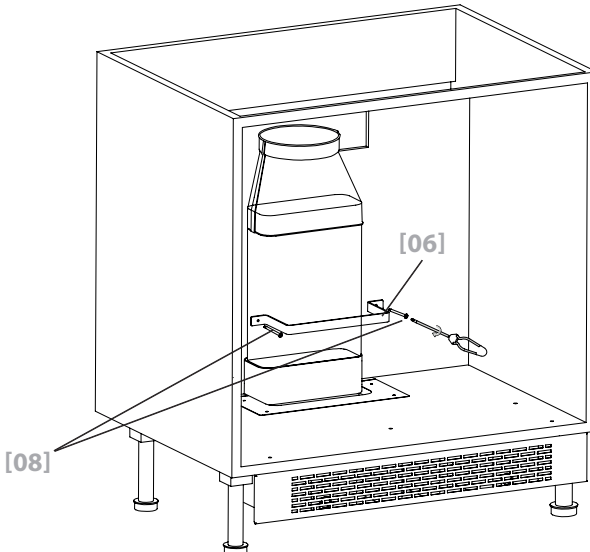
12



[06] x 1



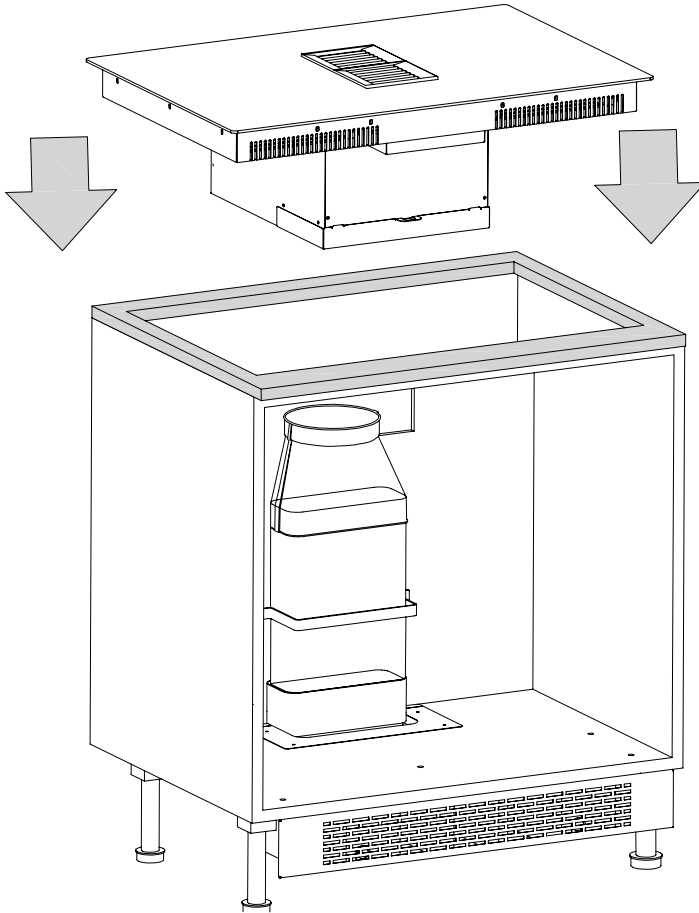
[08] x 2
4 x 16mm
PZ2
FLATHEAD



Attach strap [06] to secure the solid pipe ducting inside the cabinet with screws [08] x 2.



13





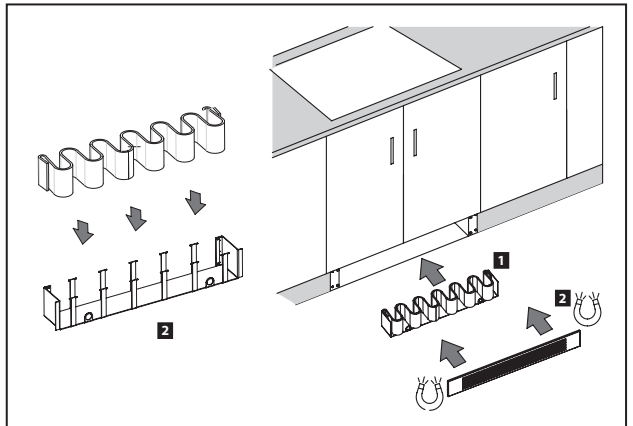
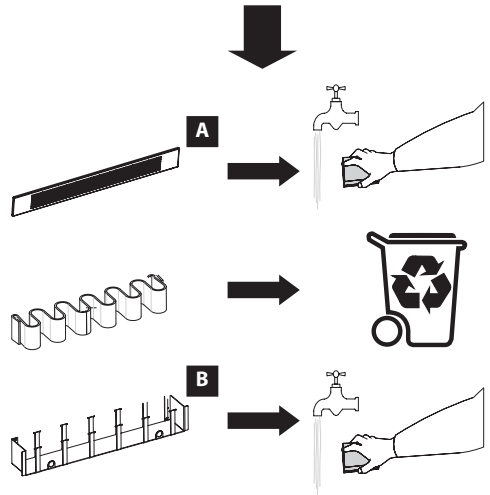
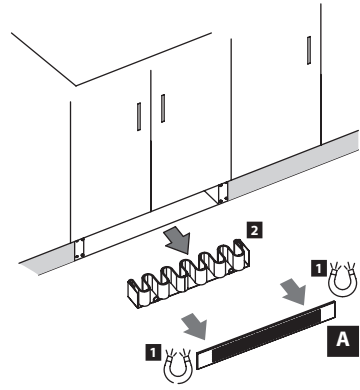
Looking after your appliance

WARNING: Always switch off the electricity supply before performing maintenance work.

01 Carbon filter replacement

Replace the carbon filter every 3-6 months, however it is recommended to wash the magnetic grill [A] and carbon filter case [B] every 3 months, do not wash the carbon filter.

Replacement Carbon filters WRDDF1 available online at viceroy.co.uk and karlson.co.uk or customer helpline in Service & Spares section.





| After sales & service support



For after sales, service enquiries & spares support

Please contact: **0333 247 1128**

Monday to Friday: 9am-5pm

Saturday: 9am-1pm

Email enquiries: wrenservice@apelson.co.uk

Dedicated spares online at:

viceroy.co.uk

karlson.co.uk